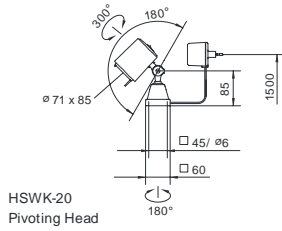
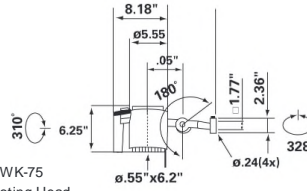


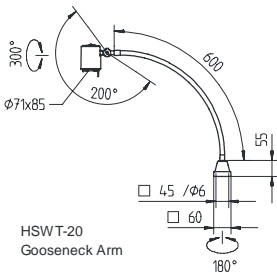
DIMENSIONAL DATA



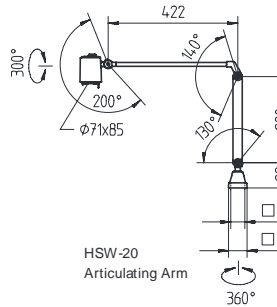
HSWK-20 Pivoting Head



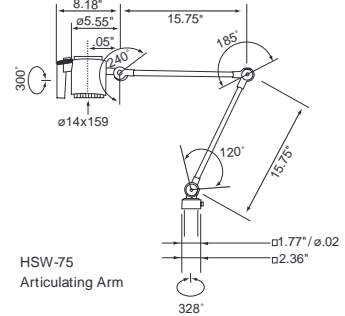
HSWK-75 Pivoting Head



HSW T-20 Gooseneck Arm



HSW-20 Articulating Arm



HSW-75 Articulating Arm

Measurements in millimeters

ORDERING INFORMATION

Description	Wattage	Voltage	Switch Included	Model	Part #
Articulating arm	20W	12V	Yes	HSW-20	112 043 000 - 000 782 10
Articulating arm	20W	24V	Yes	HSW-20	112 043 010 - 000 782 14
Pivoting head	20W	12V	No	HSWK-20	112 081 000 - 000 781 97
Pivoting head	20W	24V	No	HSWK-20	112 081 010 - 000 781 98
Gooseneck arm	20W	12V	Yes	HSWT-20	112 049 012 - 000 788 84
Gooseneck arm	20W	24V	Yes	HSWT-20	112 049 010 - 000 788 85
Articulating arm	75W	12V	Yes	HSW-75	112 185 000 - 000 051 80
Articulating arm	75W	24V	Yes	HSW-75	112 185 010 - 000 052 46
Pivoting head	75W	12V	No	HSWK-75	112 187 003 - 000 051 85
Pivoting head	75W	24V	No	HSWK-75	112 187 013 - 000 052 36

Mounting Options	Item	Dimensions	Part #
	Universal base for table/wall (included)	2.4" x 2.4"	204 090 019
	Table clamp	0" - 2.75" span	190 007 019 - 000 149 04
	Table clamp	2.5" - 5.4" span	190 033 019 - 000 149 50
	Wall bracket	2.4" x 2.8"	300 213 018 - 000 251 78
	Magnetic base	3.3" diameter	190 057 019 - 000 150 56
	Table base, rectangular*	10.5" x 6.7" x 1"	190 036 109 - 000 582 38

* HSW-20 articulating arm model only

Replacement Lamps	Item	Wattage	Voltage	Beam Angle	Part #
	MR-16 halogen	20W	12V	10° (incl. in 12V)	320 471 090
	MR-16 halogen	20W	12V	38°	320 471 110
	MR-16 halogen	23W	24V	10° (incl. in 24V)	320 724 010 - 000 679 12
	Bi-pin halogen	75W	12V	na	320 283 030
	Bi-pin halogen	75W	24V	na	320 283 060 - 000 045 96